

MULTITEL

- Remote monitoring of gas cylinders, bundles and cryogenic tanks with communication through GPRS
- 4 analog inputs 4-20 mA on two-wires
- LCD display integrated on the internal electronic board for inputs status, battery status and telemetry data communication status
- Sleeping mode with periodic activation to reduce the power consumption: measure reading, alarm condition with relative remote monitoring
- Remote frequency measures update programmable from 1 to 24 hours
- Solar panel power supply / long term battery or external power pack supply
- Backup battery Li-Ion
- Programming and status upgrade messages through software CrioSystemSupervisor
- Easy and inexpensive installation for setup and startup



**Remote monitoring unit
for gas cylinders, bundles and cryogenic tanks**

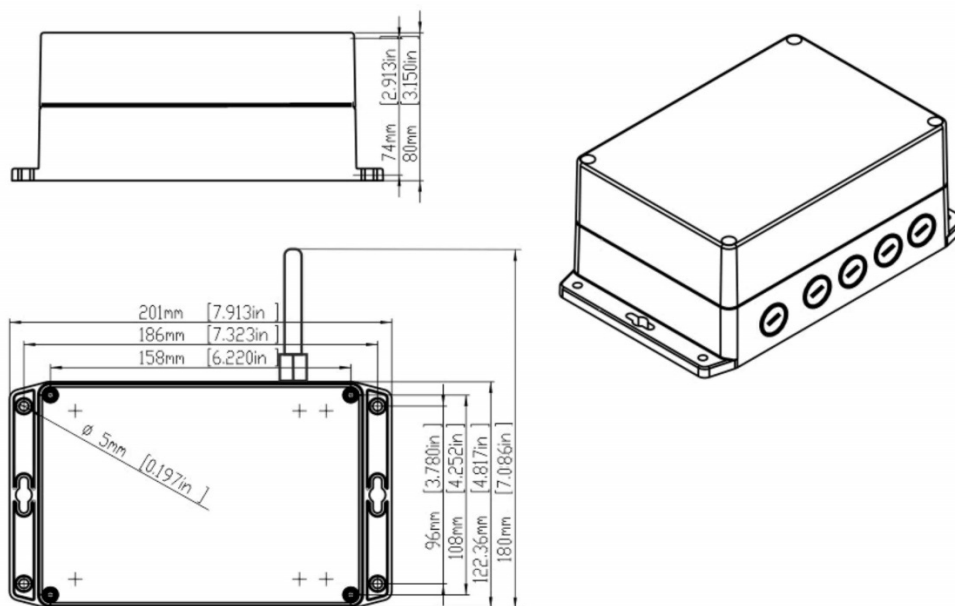
REMOTE MONITORING

TECHNICAL SPECIFICATIONS

Power supply	24 Vcc \pm 5 % 0,35 A / Solar panel 5W/ Backup battery: 3.7 V 3.6 Ah Li-ion
Inputs	Compatibility: 4...20mA on two wires Number: 4 Power supply: 18-24 Vcc Short circuit current: <120 Ω Resolution: 10 bits
Integrated communication cards	Integrated modem 4G with GPRS data communication
Measurement inputs reading frequency	Programmable 1-24 Hours
Transmission frequency	Programmable 1-24/ day
Housing	ABS white for wall mounting, size 200 x 123 x 80 mm, waterproof degree IP 67
Weight	1,5 Kg
Operating Temperature	-20...60 °C
Reference standards and directives	2014/35/EU LVD, 2014/30/EU EMC, RoHS 2011/65/EU EN 61000-6-1, EN 61000-6-3 ISO 15001

CE

DIMENSIONS



dimensions in mm

PRODUCT CODES

CODE	DESCRIPTION
0001-19-002	MultITEL 4-20: Remote monitoring unit for 4 analog inputs, integrated modem GPRS
0001-00-100	Kit Solar panel 5W: stainless-steel bracket for mounting on MiniCRIOTEL, solar panel 5 W and power supply cable 80 cm
0001-20-051	POWER SUPPLY AR24i: 230 Vac/ 24 Vcc – 1.2 A switching power supply, Isolation transformer 230Vac/230Vac, filters, PVC housing IP56 for wall mounting. size 190x140x70 mm
0001-20-062	Kit Long Life Battery: battery 3,6V 76Ah into aluminum box IP65 and cable for power supply 80 cm
0001-19-05X	Plug pack power supply: Power pack for electrical socket 100-240Vac/ 24Vcc, 0,75 A, cable 1,8m (version dependent to the country)