

MINICRIOTEL

- Local and remote monitoring of cryogenic tank (vertical and horizontal) for level and pressure with communication through GPRS
- Integrated and patented differential and relative pressure transducers
- Large LCD display for level and pressure visualization
- Level to % conversion pushbutton (if another unit of measurement is configured) present on the front panel
- Minimum level, low pressure and high pressure/high level set-points
- Low temperature alarm for detecting leakages of cryogenic media
- Sleeping mode with 15 sec. periodic activation to reduce the power consumption: measure reading, alarm condition with relative remote monitoring
- Remote level and pressure update frequency programmable from 1 to 24 hours
- Solar panel power supply / long term battery or external power pack supply
- Backup battery Li-Ion
- Programming by encoder with button integrated
- Programming and status upgrade messages receiving through software CrioSystemSupervisor
- Easy, fast and inexpensive installation for setup and startup



Local and remote monitoring unit
for cryogenic tanks

REMOTE MONITORING

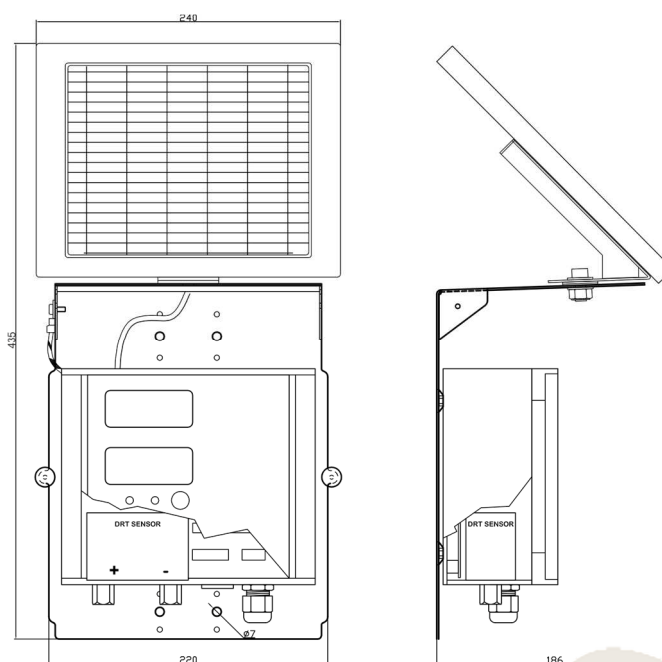
TECHNICAL SPECIFICATIONS

Power supply	24 Vcc \pm 5 % 0,35 A / Solar panel 100 mA @ max. solar exposition Backup battery: 3.7 V 3.6 Ah Li-ion
Pressure and level (DRT transducer)	<p>Relative pressure Range: 0-20 bar (standard); 0-50 bar (optional) Resolution: 0.1 bar Combined error (0...50 °C): < \pm 1 % of F.S. Breaking overpressure: 35 bar (80 bar for range 0 - 50 bar)</p> <p>Differential pressure (level): Range: 0-2 bar Resolution: --- (programmable by user) Combined error (0...50 °C): < \pm 2 % of F.S @ F.S. \geq 150 mbar Differential overpressure: \pm 4 bar limited by integrated protection devices</p>
Visual indications	4 digits LCD display for level H18 mm 4 digits LCD display for pressure H18 mm
Pneumatic connections	1/8" G female with fitting adapters 1/4" NPT female or 1/4" G female
Housing	White aluminum enclosure for wall mounting, size 200 x 170 x 90 mm, waterproof degree IP 65, complete dimensions with solar panel 250 x 435 x 186 mm
Integrated communication cards	Integrated modem 4G with GPRS data communication

Weight	3,5 Kg / 4,0 kg solar panel included
Operating Temperature	-20...60 °C
Reference standards and directives	2014/35/EU LVD, 2014/30/EU EMC, RoHS 2011/65/EU EN 61000-6-1, EN 61000-6-3 ISO 15001, BAM M 034-1



DIMENSIONS



measures in mm

PRODUCT CODES

CODE	DESCRIPTION
0001-20-001	MiniCRIOTEL 2/20: Monitoring unit range sensor 0...20 bar relative and 0...2 bar differential, Italian/English label
0001-20-011	MiniCRIOTEL 2/50: Monitoring unit range sensor 0...50 bar relative and 0...2 bar differential, Italian/English label
0001-00-100	Kit Solar panel 5W: stainless-steel bracket for mounting on MiniCRIOTEL, solar panel 5 W and power supply cable 80 cm
0001-20-051	POWER SUPPLY AR24i: 230 Vac/ 24 Vcc – 1.2 A switching power supply, Isolation transformer 230Vac/230Vac, filters, PVC housing IP56 for wall mounting. size 190x140x70 mm
0001-20-060	Kit Long Life Battery for MiniCRIOTEL: stainless-steel bracket for mounting on MiniCRIOTEL or wall, battery 3,6V 76Ah into aluminum box IP65 and cable for power supply 80 cm
0001-20-110	MAGNETIC KIT FOR MiniCRIOTEL: 8 neodymium magnetics with Epoxy protection and adapting to the surface