

CRIOTEL LCD

- Local and remote monitoring of cryogenic tank (vertical and horizontal) for level and pressure monitoring
- Integrated and patented differential and relative pressure transducers
- Large LCD display for level and pressure visualization with backlight activated by low light sensor
- Level to % conversion pushbutton (if another unit of measurement is configured) present on the front panel
- Minimum level, low pressure and high pressure/high level set-points with additional output switches programmable by user
- Low temperature alarm for detecting leakages of cryogenic media
- Additional alarm inputs for external switch sensors (e.g. pressure switches)
- Repeater signals 4...20 mA or 0...20 mA outputs for level and pressure measures
- Output signals for low level, low pressure, high pressure or high level
- Proprietary network protocol CRIONet
- Programming by rotary encoder with button integrated
- Remote programming and reception of update messages through CrioSystemSupervisor platform (MOD-COM modem required)
- Easy, fast and inexpensive installation for setup and startup

Typical applications:

- Local and remote monitoring for cryogenic tanks



Local and remote monitoring unit for cryogenic tanks

REMOTE MONITORING

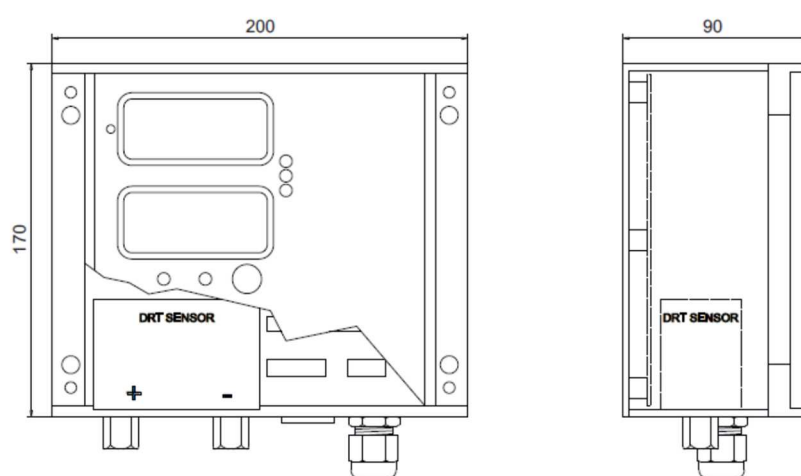
TECHNICAL SPECIFICATIONS

Power supply	24 Vdc $\pm 5\%$, max 0.2 A / 230 Vac, max 100mA (optional)
Pressure and level (DRT transducer)	<p>Relative pressure: Range: 0...20 bar (standard); 0...50 bar (optional) Resolution: 0.1 bar Combined error (0...50 °C): $< \pm 0,2$ bar Breaking overpressure: 35 bar (80 bar for range 0...50 bar)</p> <p>Differential pressure (level): Range: 0-2 bar Resolution: --- (programmable by user) Combined error (0...50°C): $< \pm 2\%$ of F.S @ F.S. ≥ 150 mbar Differential overpressure: ± 4 bar limited by integrated protection system</p>
Additional alarm inputs	3 digital inputs, 9-48 Vdc, I _{max} 5 mA, insulation >4 kV
Output signals	<p>2 independent 4...20 mA sourcing outputs for level and pressure, open circuit voltage >16V, maximum load 500 Ω, adjustable range to 0...20 mA or 4...20 mA</p> <p>3 Polarized output signals, solid state, V_{max} 48 Vcc, I_{max} 100 mA, insulation >4 kV</p>
Visual indications	4 digits LCD display for level H18 mm

	4 digits LCD display for pressure H18 mm 3 red led Ø 5 mm for additional alarms 1 yellow led Ø 5 mm for data communication, 1 red led Ø 5 mm for unit fail
Pneumatic connections	1/8" G female with fitting adapters 1/4" NPT female or 1/4" G female
Housing	White aluminum enclosure for wall mounting, size 200 x 170 x 90 mm, waterproof degree IP 65
Local network interface	Proprietary protocol CRIONet on insulated RS485
Weight	3,5 kg
Operating Temperature	-20...60 °C
Reference standards and directives	2014/30/EU EMC, 2014/35/EU LVD EN 61000-6-1, EN 61000-6-3 ISO 15001, BAM M 034-1



DIMENSIONS



dimensions in mm

PRODUCT CODES

CODE	DESCRIPTION
0001-01-051	CRIOTEL LCD 2/20 24 Vcc: Range sensor 0...20 bar relative and 0...2 bar differential, CRIONet protocol interface, Italian/English label, 24 Vcc power supply
0001-01-052	CRIOTEL LCD 2/50 24 Vcc: Range sensor 0...50 bar relative and 0...2 bar differential, CRIONet protocol interface, Italian/English label, 24 Vcc power supply
0001-01-090	CRIOTEL relay outputs board: 3 alarm relay outputs (N.O./ COM/ N.C. connections) for integration with CRIOTEL LCD board
0001-20-051	POWER SUPPLY AR24i: 230 Vac/ 24 Vcc – 1.2 A switching power supply, Isolation transformer 230Vac/230Vac, filters, PVC housing IP56 for wall mounting. size 190x140x70 mm
0001-01-110	MAGNETIC KIT FOR CRIOTEL LCD: stainless steel bracket dim. 220x280x 65 mm, 8 neodymium magnets with Epoxy protection and adapting to the surface
0001-01-06X	CRIOTEL LCD X/XX 230Vac